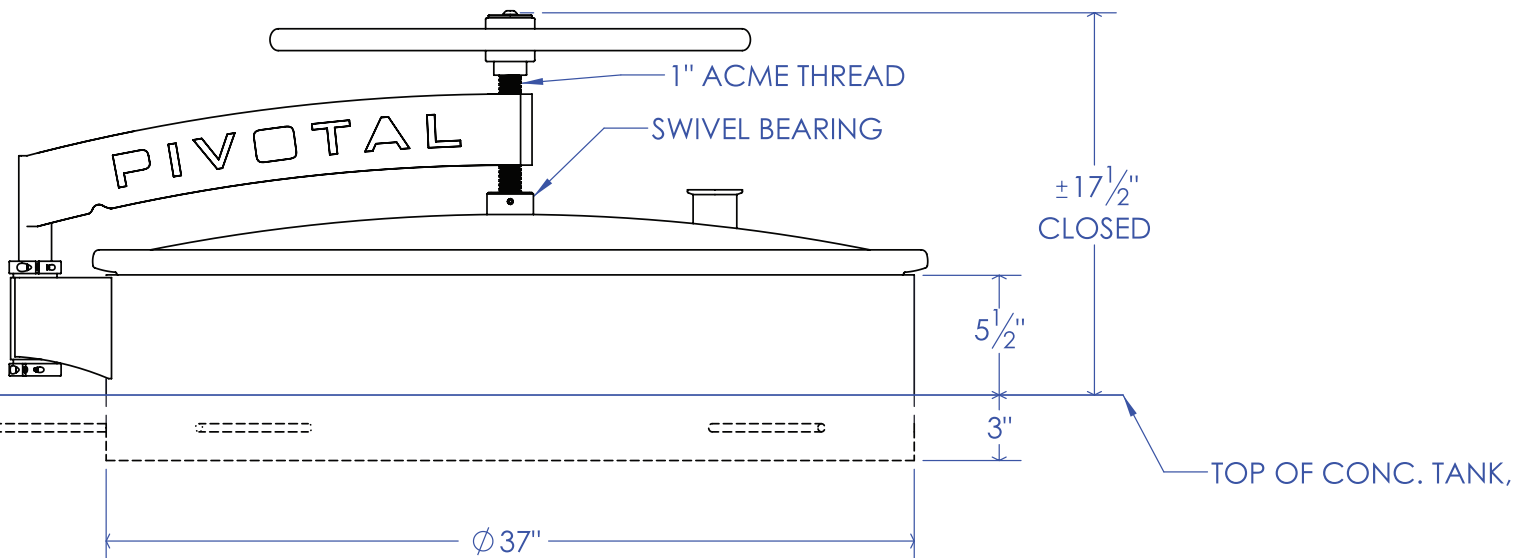
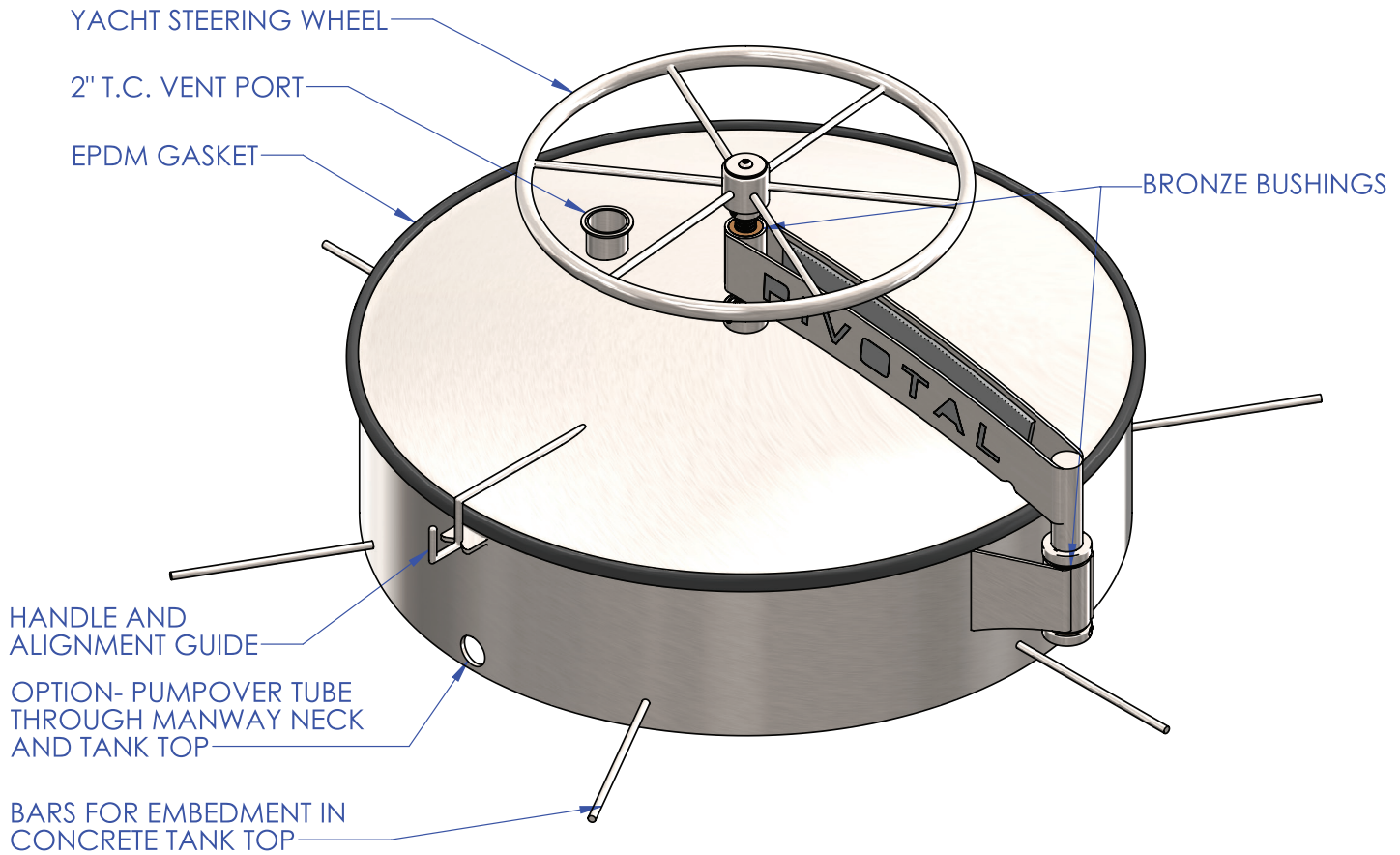




OPTIONAL, PIVOTAL MANWAY

SWINGS EFFORTLESSLY OPEN OR CLOSED





CONCRETE WINE TANKS
SONOMA CAST STONE

OPTIONAL, PIVOTAL MANWAY

SWINGS EFFORTLESSLY OPEN OR CLOSED

