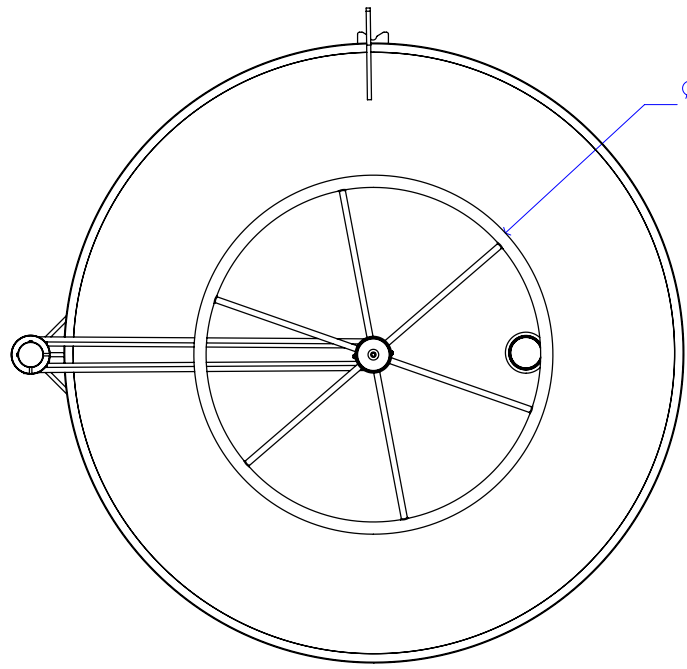


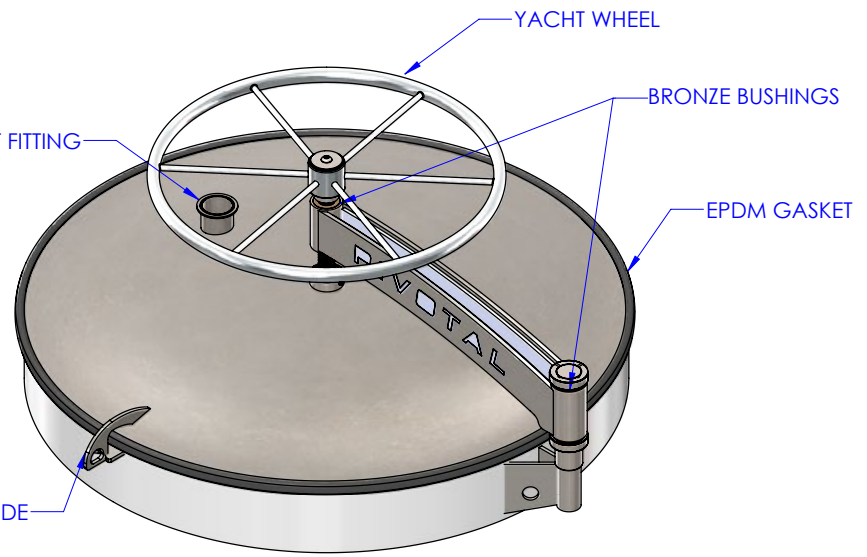


# OPTIONAL PIVOTAL MANWAY

Swings Open and Closed Effortlessly

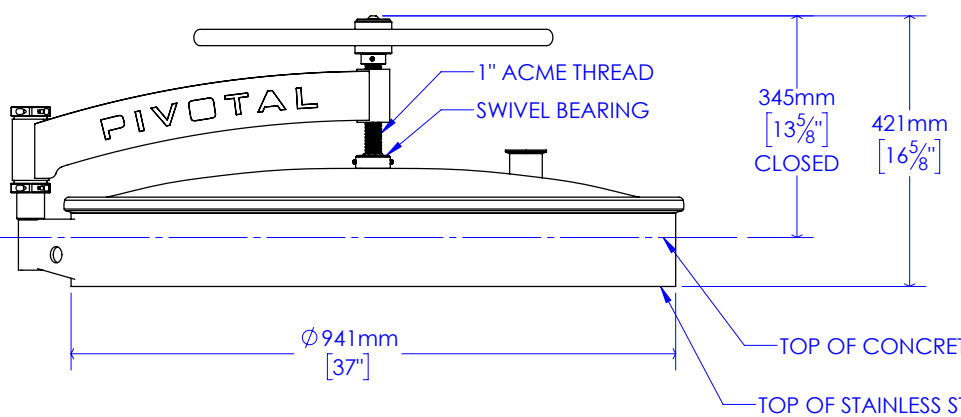


Ø 559mm  
 [22"]



2" T.C. VENT FITTING

HANDLE AND ALIGNMENT GUIDE



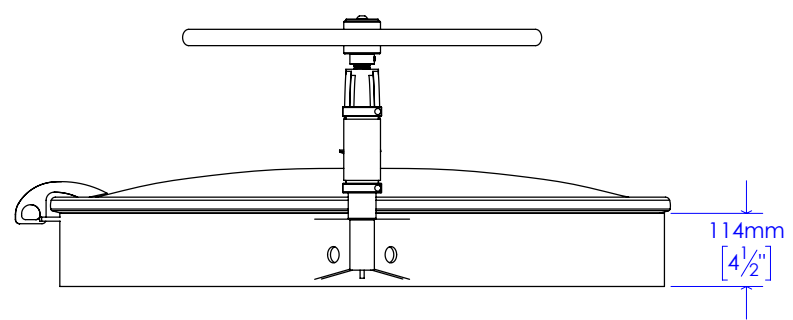
345mm  
 [13<sup>5</sup>/<sub>8</sub>"]  
 CLOSED

421mm  
 [16<sup>5</sup>/<sub>8</sub>"]

Ø 941mm  
 [37"]

TOP OF CONCRETE TANK

TOP OF STAINLESS STEEL OR WOOD TANK



114mm  
 [4 1/2"]

**PROPRIETARY AND CONFIDENTIAL**  
 THE INFORMATION CONTAINED IN THIS DRAWING IS THE SOLE PROPERTY OF SONOMA CAST STONE CORP. ANY REPRODUCTION IN PART OR AS A WHOLE WITHOUT THE WRITTEN PERMISSION OF SONOMA CAST STONE CORP. IS PROHIBITED.