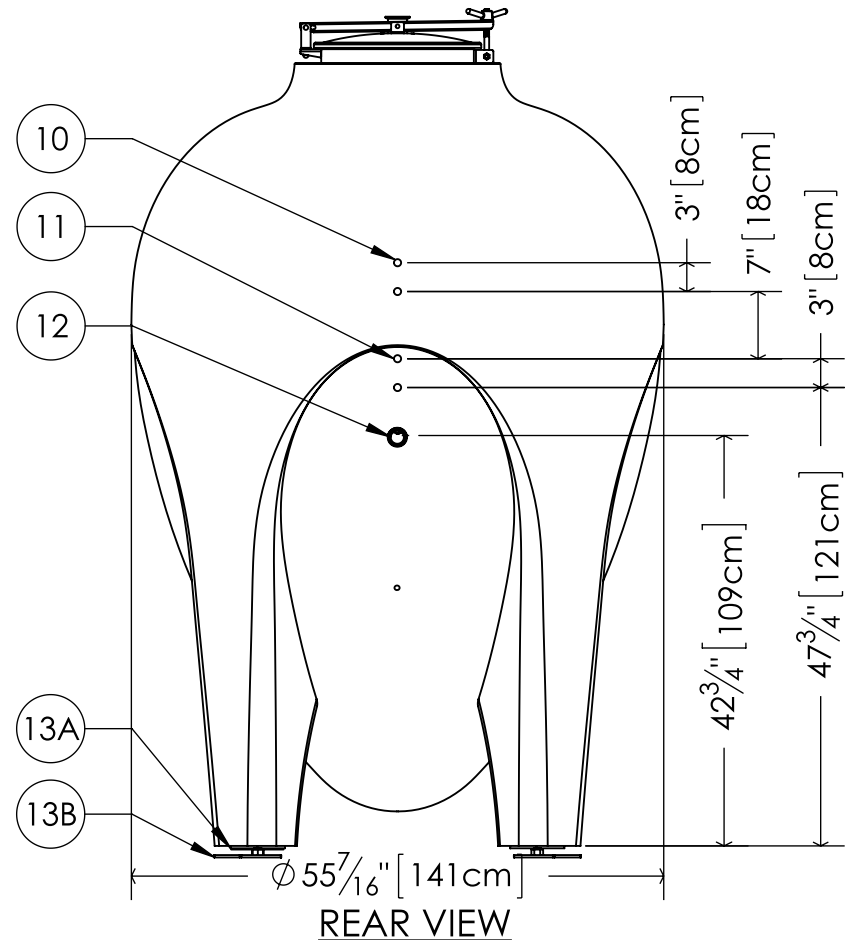
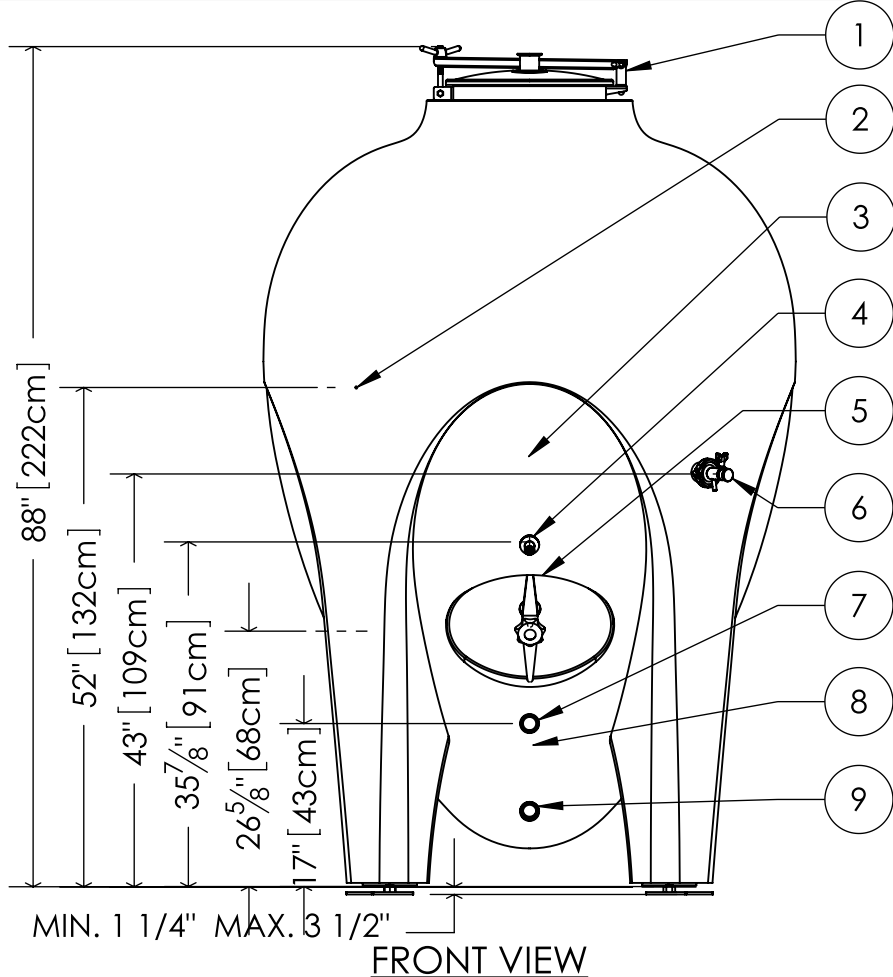


STANDARD ITEMS and OPTIONAL ITEMS	
1	16" TOP MANWAY W/ 2" T.C. VENT
2	THREADED INSERT FOR TAG CLIP OR HOOK
3	CUSTOMER LOGO
4	THERMOWELL PORT: 1 1/2" T.C.
5	POMACE DOOR
6	SAMPLE/ WASHING PORT, 2" T.C. WITH SAMPLE VALVE
7	RACKING PORT 1 1/2" T.C.
8	RACKING ARM
9	FRONT DRAIN PORT: 1 1/2" T.C.

10	TEMP. CONTROL: UPPER COIL GLYCOL FITTINGS: 3/4" F.P.T.
11	TEMP. CONTROL: LOWER COIL GLYCOL FITTINGS: 3/4" F.P.T.
12	THERMOWELL FITTING, REAR, 1 1/2" T.C.
13A	FIXED FOOTPLATES- OR:
13B	ADJUSTABLE HEIGHT FEET, 1 1/4"-3 1/2" RANGE

CAPACITY 320 GAL. [1211L]
 WEIGHT 4627 LB. [8932KG]



SONOMA CAST STONE
 CONCRETE WINE TANKS

(877) 283-2400 www.concretewinetanks.com

AMPHORA TANK OPTIONS

JOB NAME:

ORDER #

DATE: